

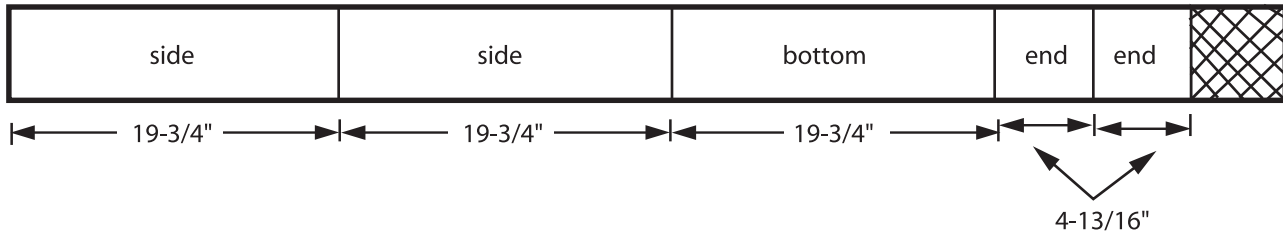
The Small Planter Box

MATERIAL LIST:

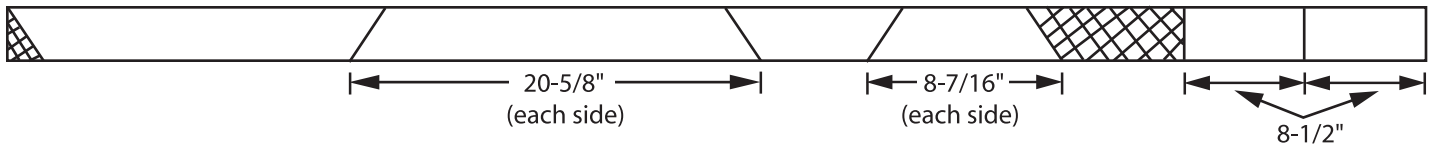
- 1 pc. 1" x 6" x 6' cedar fence board (actual dimensions 3/4" x 5-9/16" x 72")
 - 1 pc. 1" x 2" x 8' clear cedar (actual dimensions 3/4" x 1-1/2" x 96")
 - approx. 30 ea. 5d galvanized shake nails
- The shake nail works well because it has a blunt point that reduces the risk of splitting the wood.

Cut the boards as shown below:

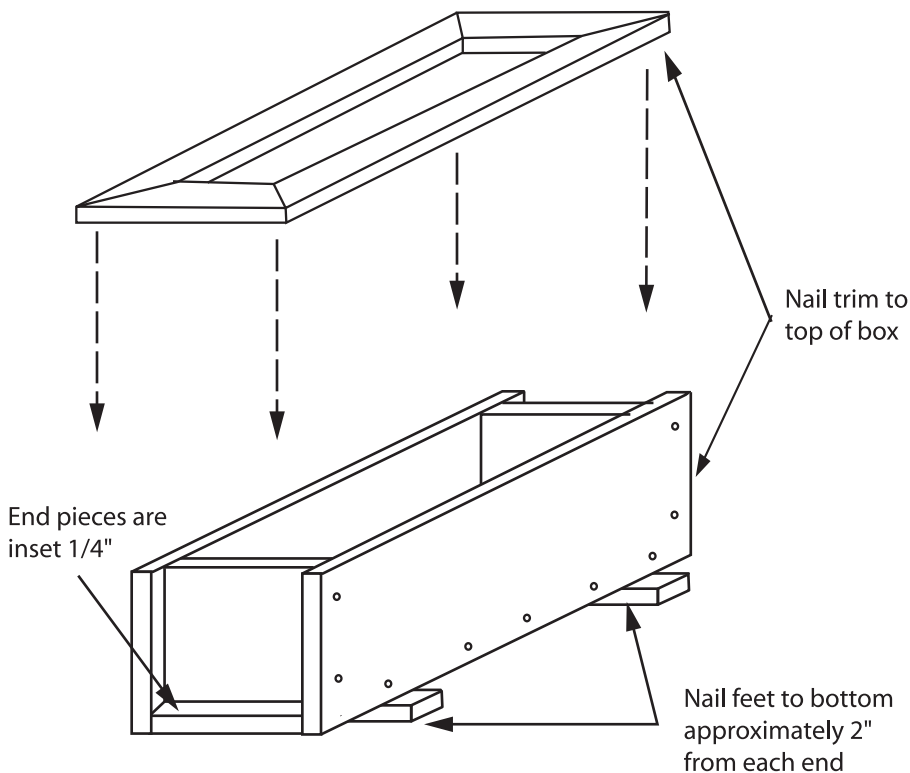
1 x 6 x 6' cedar fence for the planter box



1 x 2 x 8' clear cedar for the top trim



45° cuts on both ends of side pieces and end pieces.



1. Nail sides to the bottom of the box.*
2. Slide ends into side/bottom assembly. Leave 1/4" inset from the ends. Secure with nails through the side of the box. (Not through the bottom.)
3. Center top trim and nail into edge of sides and ends.
4. Nail feet to bottom into edge of side pieces.
5. Drill several holes into bottom of box for drainage.
6. After the wood has dried for a day or two you can seal it with a deck sealer such as Superdeck or Sunfrog.

* Helpful note:

When nailing the sides of the box to the bottom...place the box on its side with one of the end pieces placed in the middle for support of the side.